

# ABOS-921DP

Intel 13th/12th Raptor Lake i3/i5 Processor  
Button-integrated Panel PC



## Features

- 21.5" Full HD TFT-LCD
- Intel 12th Gen. (Alder Lake-U) Processors
- 16:9 Widescreen with P-CAP Multi-touch Control
- RFAI Built-in Functional Buttons for Intuitive Operation
- Available with Configurable Button Area for the Installation of Hard-wired Elements
- Top/Bottom Swing Arm Mounting Supports VESA mount
- IP65 Full Sealed with Swing Arm kit
- Gap free Sealing and Slim Front Frame Architecture at Front Bezel
- DC 9~36V Power Input

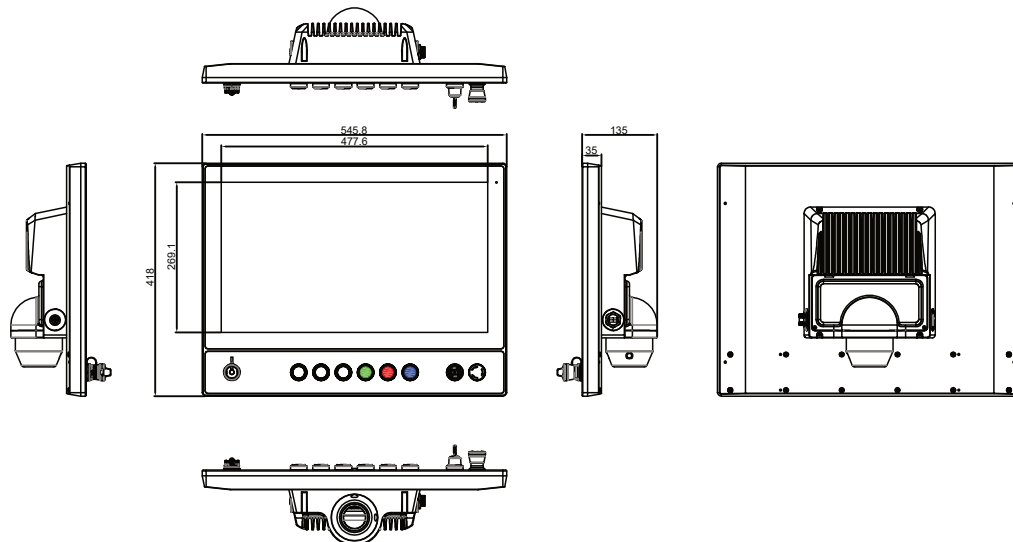
## Specifications

System	
CPU	Intel Core i3-1215U, 2C+4A, up to 4.4GHz(P-Core) 3.3GHz (E-Core), 15W-55W (Default) Intel Core i5-1235U, 2C+8A, up to 4.4GHz(P-Core) 3.3GHz (E-Core), 15W-55W Intel Core i3-1315UE, 2C+4A, up to 4.5GHz(P-Core) 3.3GHz (E-Core), 15W-55W Intel Core i5-1335UE, 2C+8A, up to 4.5GHz(P-Core) 3.3GHz (E-Core), 15W-55W
Memory	2 x DDR4-3200MHz SO-DIMM (Dual Channel, Non-ECC) sockets, up to 64GB
TPM	TPM 2.0
BIOS	AMI
Internal I/O Port	
USB	2 x USB 3.2 Gen.1 x1 via USB type-A port 2 x USB 2.0 via USB type-A port
Serial/Parallel	1 x RS-232(default)/422/485 select via BIOS, pin9 RI(default)/5V/12V select via jumper, DB9(COM1)
HDMI	1 x HDMI, 4096x2304@60Hz
LAN	1 x Intel I219LM, GbE LAN, RJ45 1 x Intel I210AT, GbE LAN, RJ45
Power	1 x 3-pin DC Power Input, Terminal Block / 1 x Power Button with Light
Front I/O and Buttons	
Emergency Button	1 x Emergency Button
Key Switch	1 x Key Switch (for option)
Push Button	Default: 1 x Blue(reset) / 1 x Red(stop) / 1 x Green(start) Optional: 3 x Black(self-defined)
USB Input	1 x USB 2.0 Type-A (water proof by Front) 1 x USB 2.0 Type-A (water proof by Rear)
Storage	
Storage	1 x M.2 M-Key 2280 for SSD (PCIe 3.0 x4) 1 x 2.5" HDD Bay
Display	
Display Type	21.5" TFT-LCD
Max. Resolution	1920 x 1080
Max. Color	16.7M
Luminance (cd/m <sup>2</sup> )	250
View Angle	178(H) / 178(V)
Contrast	1000:1
Backlight Lifetime	30,000 hrs
Touch Screen	
Type	Projected Capacitive Touch
Interface	USB
Light Transmission(%)	over 90%

## Dimensions



ABOS-921DP Stand



UNIT: mm  
Tolerance:±0.5

Power	
Power Input	DC 9~36V
Power Consumption	MAX: 90W
Mechanical	
Structure	Aluminum
Mounting	Swing Arm Mount (Default)/ Stand *support Rittal CP-40
IP Rating	Full IP65
Dimensions	545.8 x 418 x 135 mm
Net Weight	19 kg
Environmental	
Operating Temperature	0~50°C
Storage Temperature	-30~70°C
Humidity	10 to 90% @ 40°C, non-condensing
Vibration	IEC 60068-2-64 1G/ 5~500Hz (Random)/ Operation
Shock	IEC 60068-2-27 15G Peak Acceleration (11 msec. Duration)/ Operation
Certificate	CE/FCC/UKCA
Optional Accessory	
Handles	Left-Right Handle
Holder	Keyboard Holder
Operating System Support	
Windows 10 IoT LTSC, Windows 11 IoT, Ubuntu 22.04 (Linux Kernel 5.15)	
Ordering Information	
ABOS-921DP	21.5" FHD IP65 Aluminum panel pc, Intel 12th Gen. Core i3-1215U, 2 x DDR4 slot, 128GB TLC SSD/M.2 2280, projected capacitive touch, 9~36V DC power without Adapter *Button : 1 x Emergency button, 1 x Green button, 1 x Red button, 1 x Blue button, 1 x USB 2.0 (front) *Back Cover stainless steel 316L support Swing ARM + Rittal CP 40

V 1.0